

SPECIFICATIONS

Material: HEXSEALS: Silicone rubber conforms to A-A-59588 Class 3, GR 50 unless otherwise specified.

Mounting Nut: HEXSEALS: Brass, nickel-plated (unless otherwise noted)

Temperature Range: HEXSEALS: -94°F to +400°F

Pressure Range: Exceeds 15 psi internal and 1500 psi external.

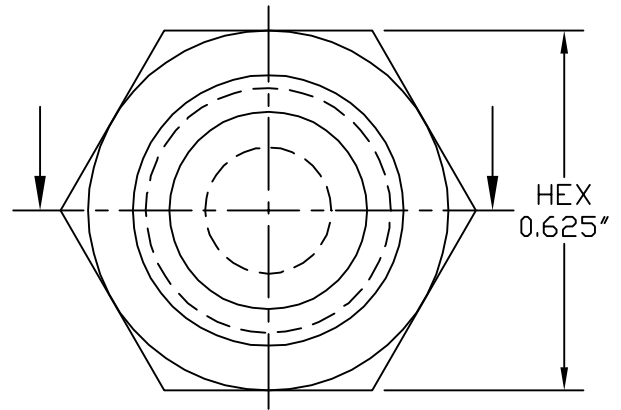
Operational Life: 50,000 actuations (minimum).

Shelf Life: Excess of 25 years.

Resistant to: Salt spray, sunlight, ozone, weather, fungus, and most acids and lubricating oils

Agency Recognition: E-SEALS and HEXSEALS are UL-listed to UL Std. 50 types 1-13, and meet CSA standards.

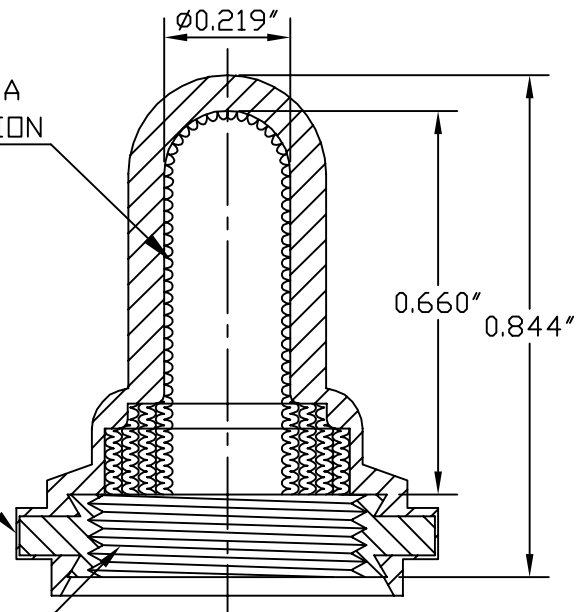
Installation: If a reducing adaptor is required - see page 14 of HEXSEAL catalog HEX200 for part numbers and drawing.



MONEL MESH
PER QQ-N-281 CLASS A
FOR EMI/RFI SUPPRESSION

PERMISSIBLE RUBBER
OVERLAY 0.005 MAX.

1/2-32NS-2B



F	MAT'L CHANGED and REDRAWN	S. GOK	09.28.09
E	CAD COMPUTER GENERATED		09.23.02
D	UPDATED and REDRAWN	R.C.	07.14.76
REV.	DESCRIPTION		DATE
MAXIMUM AND MINIMUM MEASUREMENTS ARE STATED DIRECTLY ON EACH DIMENSION. MAT'L: Silicone Rubber A-A-59588, Gr.50	TITLE: EMI/RFI SHIELDED BOOT, TOGGLE, SWITCH (IN-1030 1/2-32 RFI)	ENG. S. GOK	09.28.09
		DWN. N.K. STEIGER	08.30.65
		CHKD. J. CELLA	09.28.09
FINISH: GRAY	APM-HEXSEAL CORPORATION	SCALE 3:1	DWG. NO. (IN-1030 1/2-32 RFI) HEXSEAL®

THIS DRAWING COVERS PROPRIETARY ITEM AND IS THE PROPERTY OF THE APM-HEXSEAL CORPORATION.
THIS DRAWING IS NOT TO BE COPIED OR USED WITHOUT THE WRITTEN APPROVAL OF AN OFFICER OF THE APM-HEXSEAL CORPORATION.